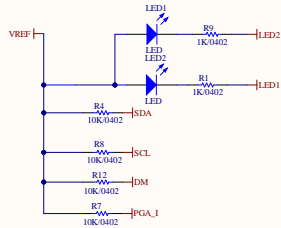
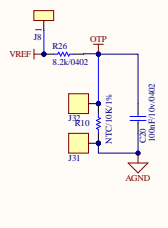


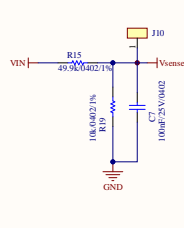
FOD & Protection & Demodulation



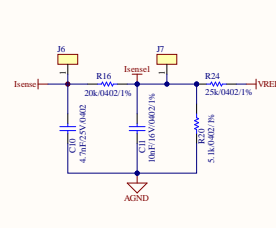
LED Indication & I2C



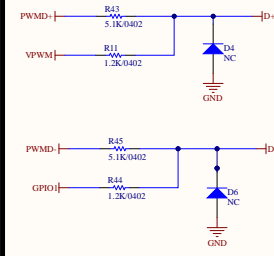
OTP Block



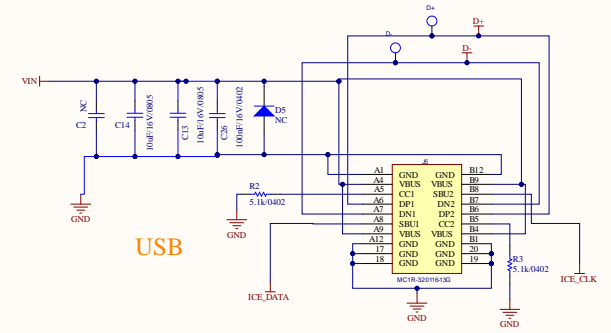
Voltage Sense



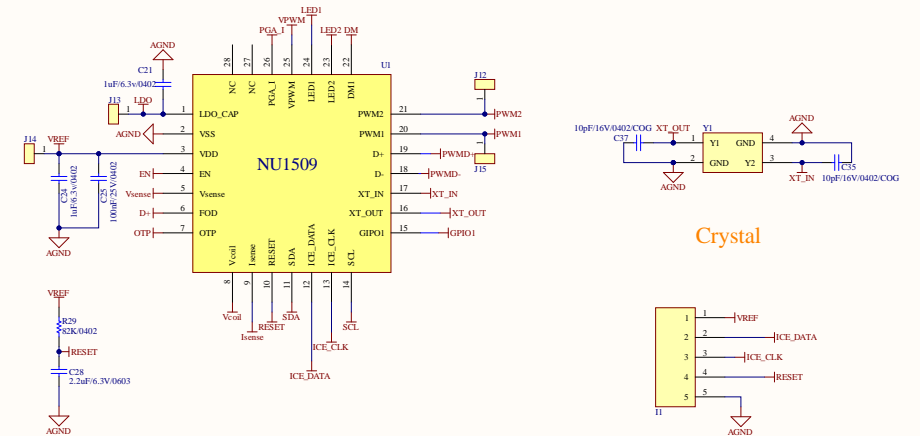
Current Sense



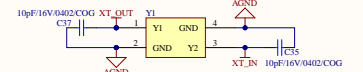
QC Detection



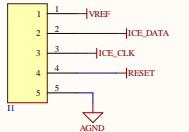
USB



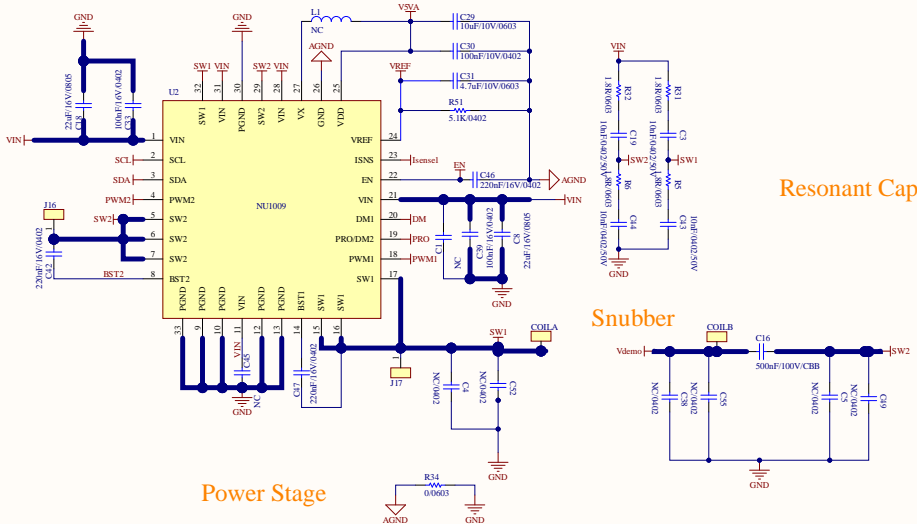
MCU



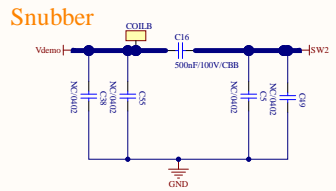
Crystal



ICE Interface



Power Stage



Snubber

Application note:

1. Input QC adapter
2. Single coil MP-A11
3. Output power supported 10W
4. Protocol supported: EPP 10W/ iphone fast charge and Samsung fast charge

Document Number: Newton 10W qc	Revision: V1.0
Sheet Name: NUR10111G-MP-A11	Revision Date: 20200806
Schematic Description:	PCB Revision:
Circuit Design Engineer: TU Xuanryou	Design Engineer: