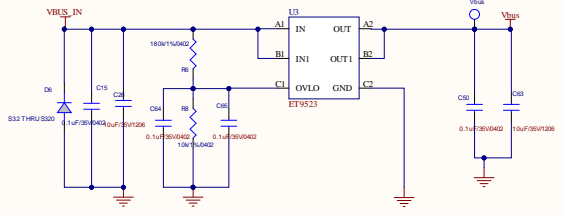
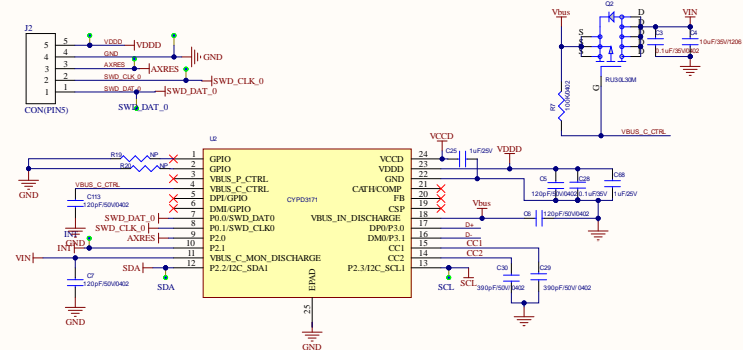


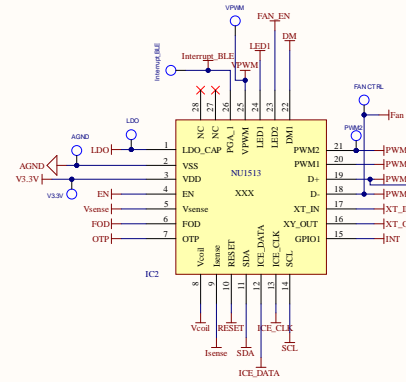
TYPE_C



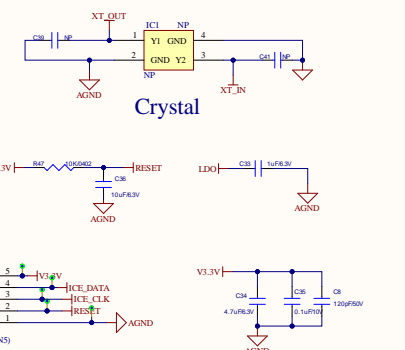
OVP



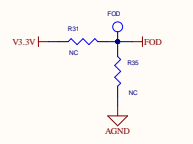
PD Block



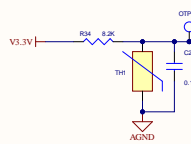
MCU



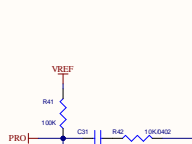
Crystal



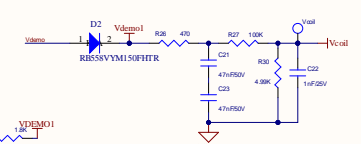
Vin Sample



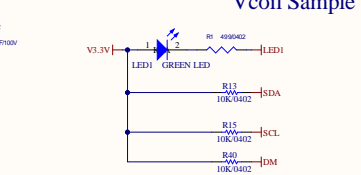
Current Demo & Sample



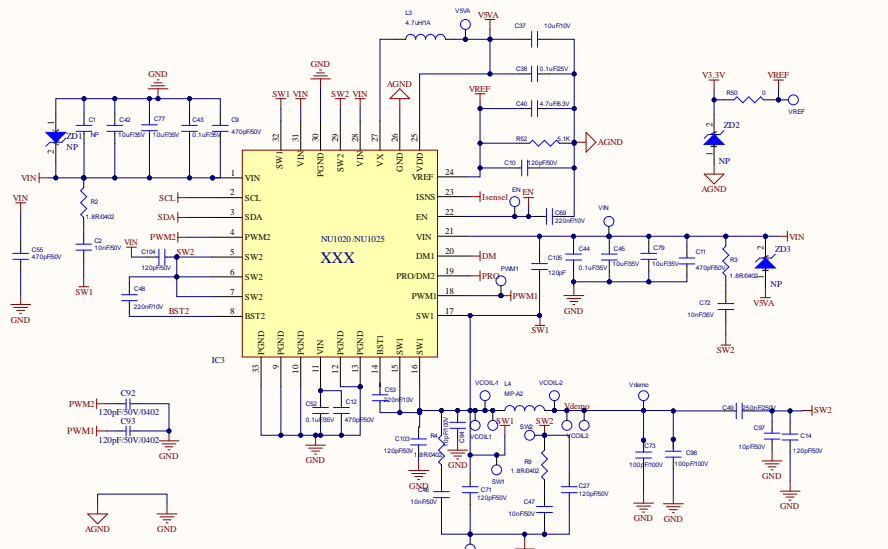
Demodulation



Vcoil Sample



LED



Power Stage

- Application Note:
- 1、 Input; QC/PD 20V/2.25A
 - 2、 Output power supported up to 30W/40W
 - 3、 Protocol supported: iphone, Samsung, Google fast charge and EPP

| | |
|-------------------------------------|--------------------------|
| | |
| Document Number: WL52 | Revision: V1.0 |
| Sheet Name: NUR3011P-MP-A2 | Revision Date: 202007017 |
| Schematic Description: | PCB Revis: kcc |
| Circuit Design Engineer: Robert Lee | Design Engineer: |